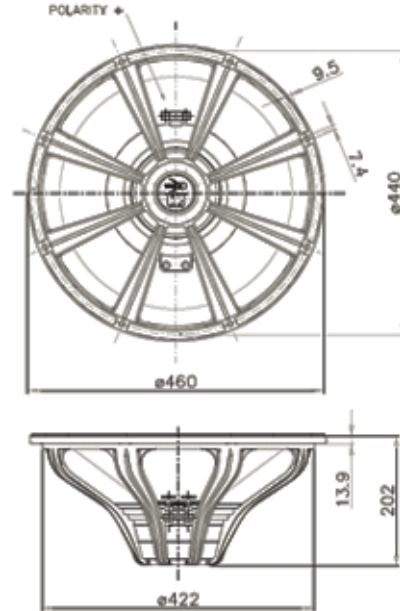




# 18HP1020 High Performance Series



## NOMINAL SPECIFICATIONS

Nominal Diameter	460 mm (18 in)
Overall Diameter	460 mm (18.11 in)
Bolt Circle Diameter	440 mm (17.32 in)
Baffle Cutout Diameter	422 mm (16.61 in)
Depth	202 mm (7.95 in)
Flange and Gasket Thickness	13.9 mm (0.55 in)
Net Weight	6.1 Kg (13.4 lb)
Shipping Box (Single Carton Box)	536x536x293 mm (21.1x21.1x11.5 in)
Shipping Weight	7.4 Kg (16.3 lb)

## ELECTRICAL SPECIFICATION

Minimum Impedance	6.6 Ohm
Nominal Impedance	8 Ohm
Nominal Power Handling *	1000 W
Maximum Power Handling **	2000 W
Sensitivity (1W/1m)	99 dB
Frequency Range	35÷1600 Hz
Voice Coil Diameter	100 mm (4 in)
Winding Material	Cu
Former Material	Glass Fiber
Winding Depth	23 mm (0.9 in)
Magnetic Gap Depth	12 mm (0.47 in)
Flux Density	1.3 T

## THIELE & SMALL PARAMETERS

Fs	35 Hz
Re	5.4 Ohm
Bl	27.2 N/A
Mms	182 g
Cms	0.11 mm/N
Rms	4.1 Kg/s
Qes	0.29
Qms	9.74
Qts	0.28
Vas	219.2 dm <sup>3</sup> (7.74 ft <sup>3</sup> )
Sd	1166 cm <sup>2</sup> (180.7 in <sup>2</sup> )
Xmax ***	9.5 mm
Xdamage ****	17.5 mm
Le	1.7 mH
Mmd	159.5 g
Eta Zero	3.1 %

## ORDERING CODES

Push Terminals - 8 Ohm Version	04603928
Faston Terminals - 8 Ohm Version	04603929

## NOTES

PATENTED IT2006/000327

(\* ) 2 Hours Test According to AES 2-1984 Rev. 2003

(\*\* ) Maximum power is defined as 3dB greater than nominal power.

(\*\*\* ) Xmax = [(winding depth - magnetic gap depth) / 2] + (magnetic gap depth / 3)

(\*\*\*\* ) Maximum excursion before permanent damage

# CURVES

---

